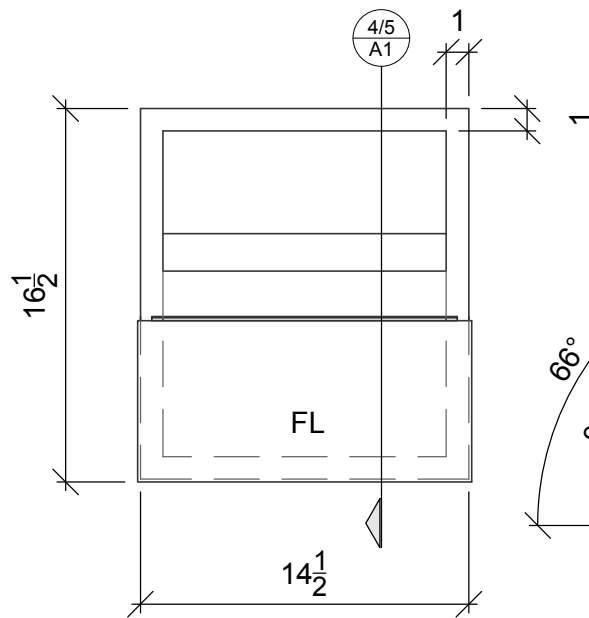


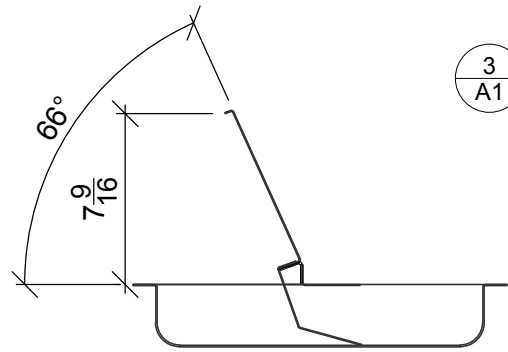
AVAILABLE SIZES
 - 14 1/2" x 16 1/2" X 2 3/4"



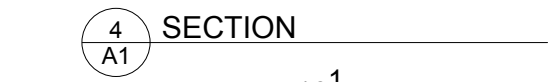
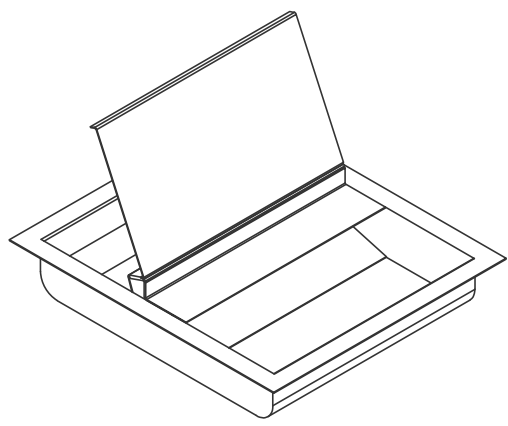
1 PLAN
A1



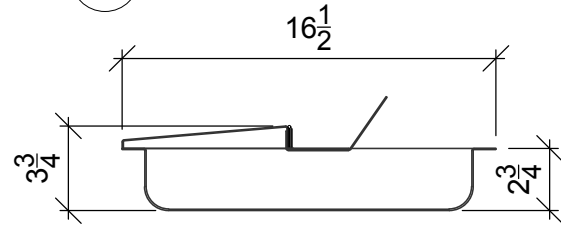
2 ELEVATION
A1



3 ISOMETRIC VIEW
A1

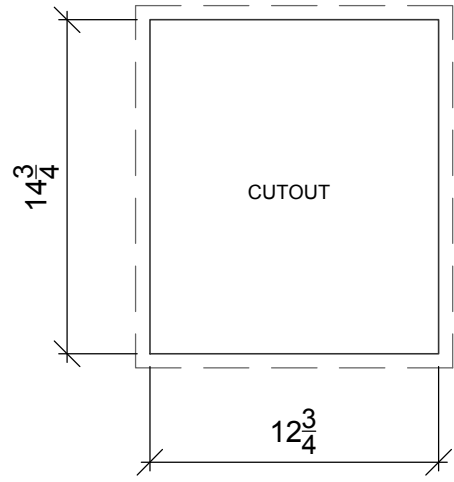


4 SECTION
A1



5 SECTION
A1

INSTALL RECESSED CASH TRAY
 BY ROUTING OUT A HOLE IN THE
 COUNTERTOP (AS DETAILED)



CUT OUT SIZE: 12 3/4" x 14 3/4"

<p>Total Security Solutions 170 National Park Drive Glenview, IL 60049 Phone: 517.223.7800 Fax: 517.223.0805 www.DemandTSS.com</p>	<p>PROJECT NAME: RECESSED FLIP LID DEAL TRAY 14 1/2" x 16 1/2" x 2 3/4"</p>	<p>DATE: 1.11.18 DRAWN BY: SRK ENG. BY: CHECKED BY:</p>	<p>SHEET TITLE: DETAILS</p>	<p>SHEET NUMBER: A1</p>					
	<p>The information in this drawing is confidential. It is the property of TOTAL SECURITY SOLUTIONS. Written reproduction and/or distribution without the written consent of TOTAL SECURITY SOLUTIONS is prohibited.</p>	<table border="1"> <thead> <tr> <th>REV#</th> <th>DATE</th> <th>DESCRIPTION</th> </tr> </thead> <tbody> <tr> <td>A</td> <td></td> <td></td> </tr> </tbody> </table>	REV#	DATE	DESCRIPTION	A			<p>JOB#: SALES</p>
REV#	DATE	DESCRIPTION							
A									